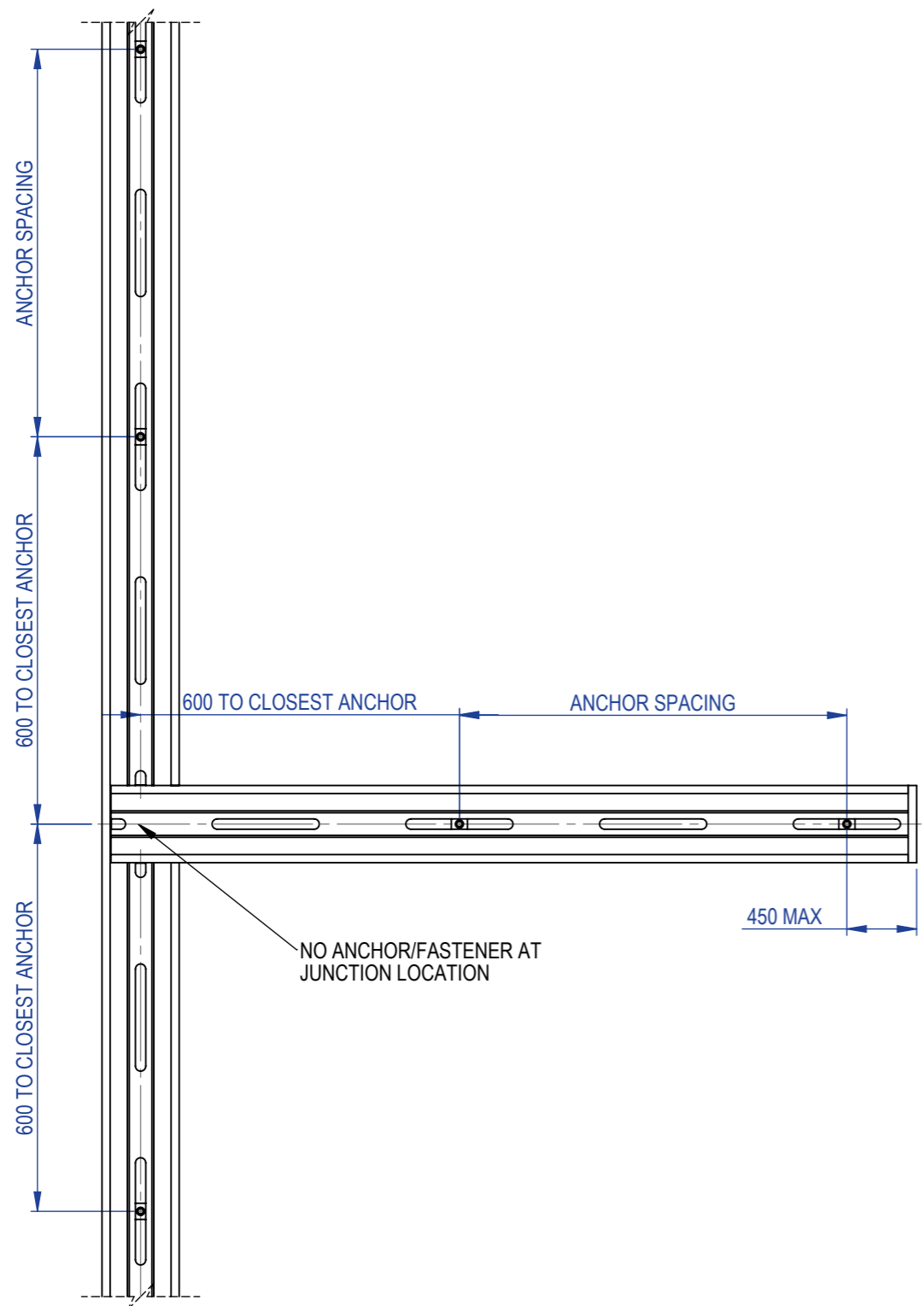
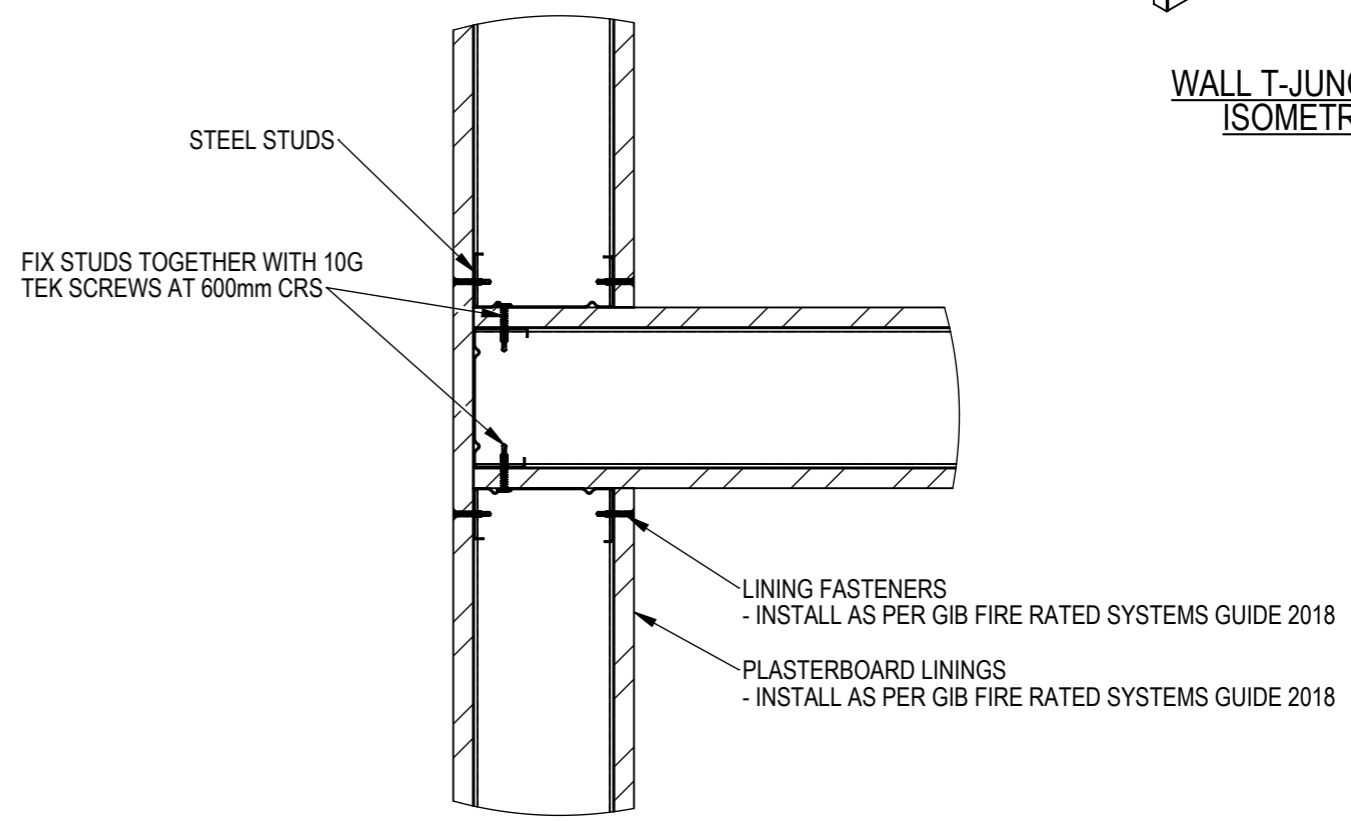


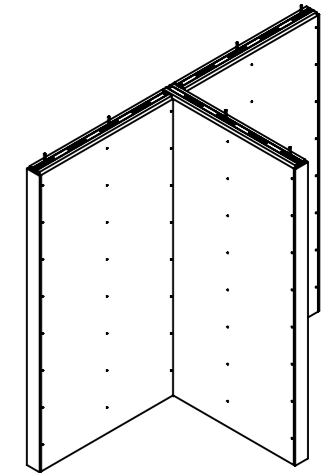
REVISIONS			
REV.	DESCRIPTION	DATE	BY



**WALL T-JUNCTION
PLAN**

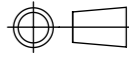


**WALL T-JUNCTION
DETAIL**



**WALL T-JUNCTION
ISOMETRIC**

NOTE: THIS INSTALLATION DETAIL HAS BEEN SHOWN TO REDUCE EARTHQUAKE DAMAGE TO THE PARTITION WALL VIA SEISMIC TESTING, WHEN ALL WALLS USE THE T&R SEISMIC HEADTRACK. WHEN CONNECTING TO OTHER WALL TYPES (SUCH AS STRUCTURAL WALLS) A SEISMIC JOINT IS RECOMMENDED.

TITLE: T-JUNCTION DETAIL		THIRD ANGLE PROJECTION 		WEIGHT: kg
PROJECT: 6030		DRAWN: TJM	CKD BY: MH	SCALE: 1:10
MATL:	PROCESS:	DATE: 28JUL22	CKD DATE: 29JUL22	SHEET: 1 of 1
FORM:	FINISH:	PART NO: 6030-1008		STATUS: RELEASED
SIZE:	A3 ALL DIMENSIONS IN mm DO NOT SCALE		REV: 00	

