

Designed JSK 30/06/16

Drawn JSK 30/06/16

All dimensions in mm

Notes:

1. Must be used in conjunction with T&R's seismic system and not to be used with any other grid and/or system.
2. Not to be used as a substitute for engineering advice.
3. Seismic ceiling design is for CBI 24mm grid
4. Seismic joint ends to be installed as per corresponding wall edge connection requirements
5. If alternative seismic joint design is to be used, specified clearance distance must be maintained. Consult design engineer before installation.
6. Ceiling tiles cut as needed to maintain seismic clearances

Title: Generic Seismic Joint Detail, 24mm CBI Grid

Project: Seismic Joint Detail

Scale: NTS

Standard 2.5mm galv steel suspension wire (fy = 550 MPa), installed as per manufacturer's specifications

Seismic joint clearance: Refer to layout drawing

T&R Seismic joint section

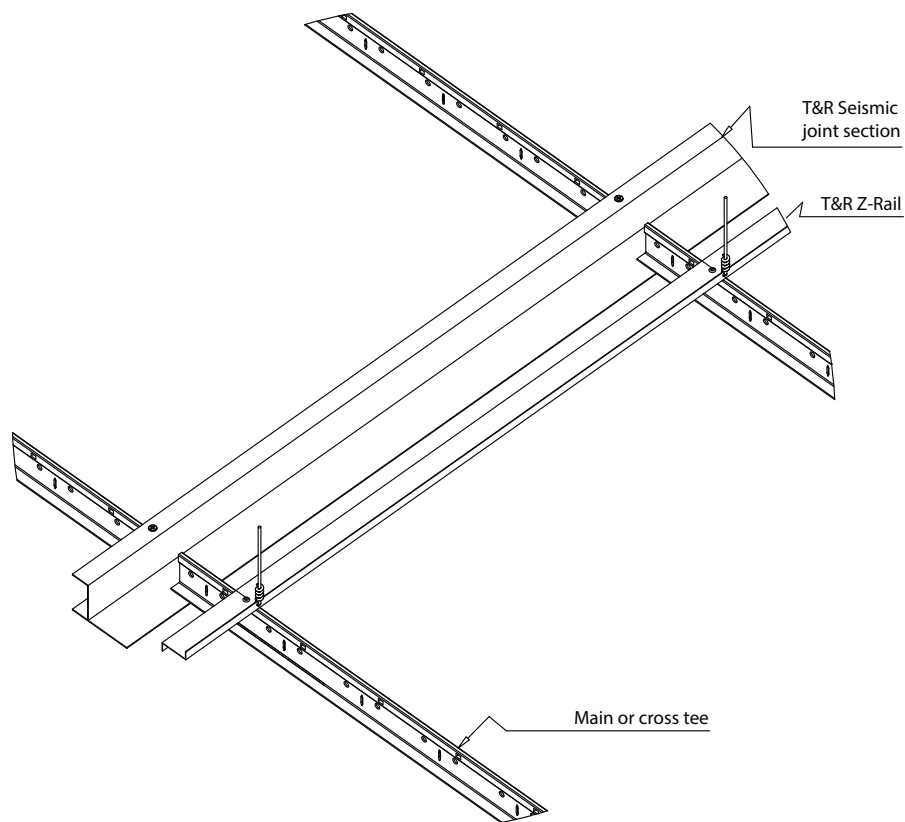
Packer

Main or cross tee

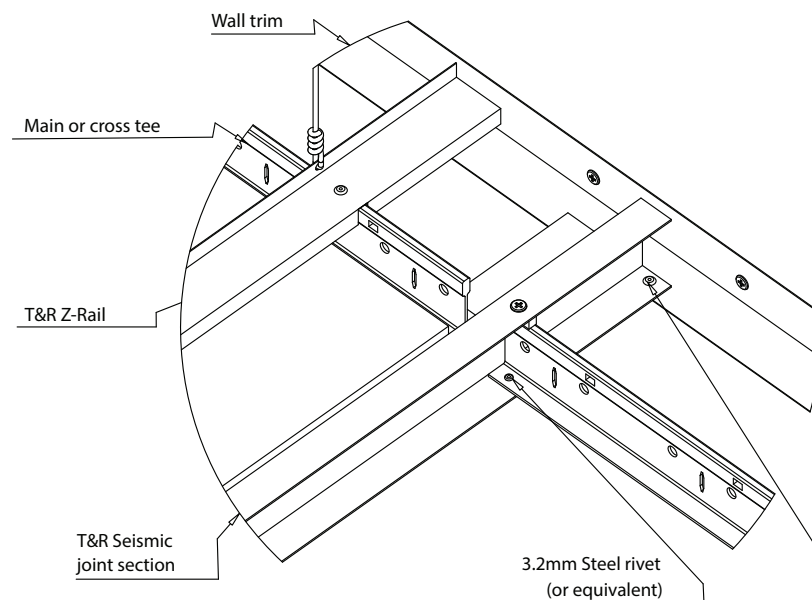
Main or cross tee Seismic section fixed to tee with 3.2mm steel rivets

Seismic section NOT fixed to tee on this side of joint

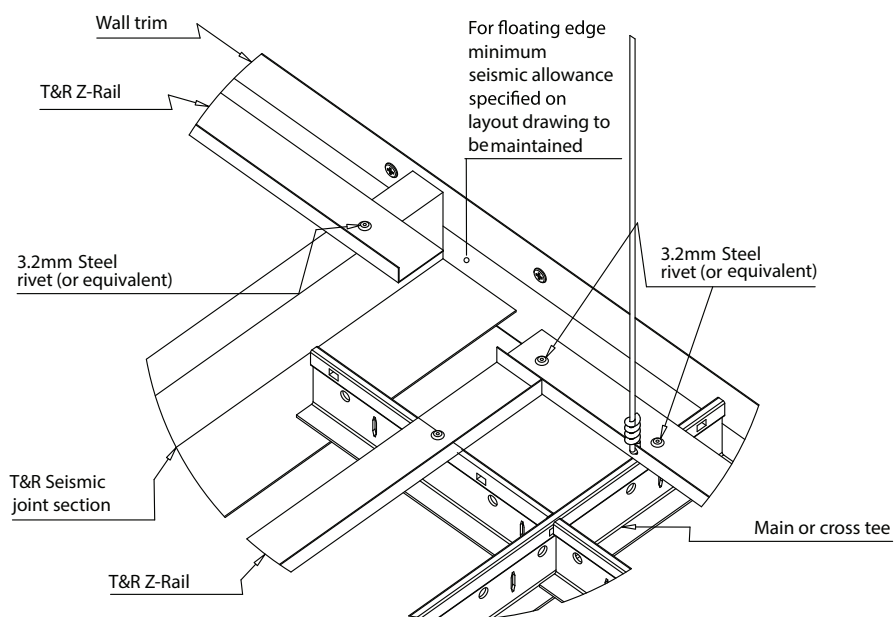
Seismic Joint Detail



Seismic Joint Isometric View



Fixed Edge Detail



Floating Edge Detail