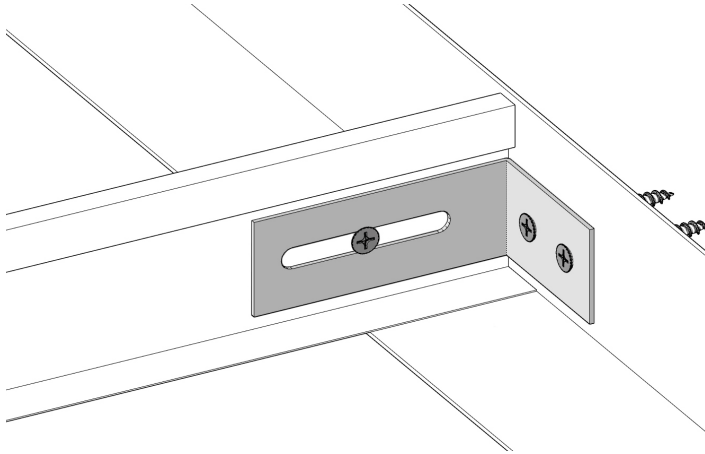


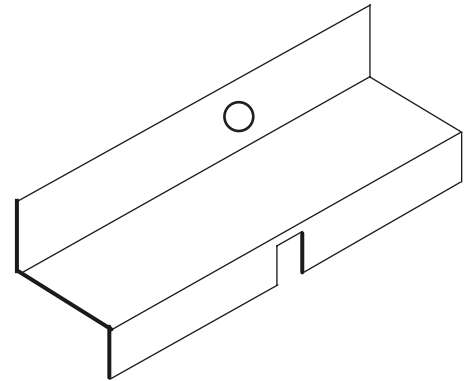
SEISMIC FLOATING CLIPS



FLOATING WALL CLIPS

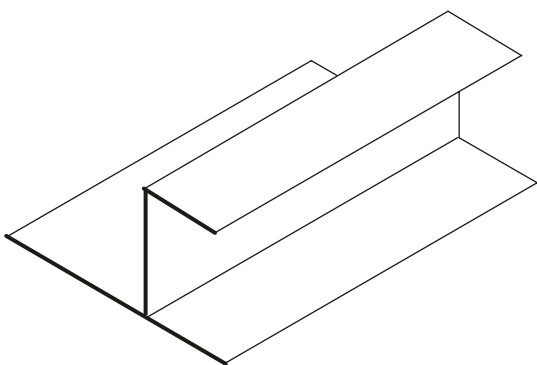
This clip allows for floating seismic wall systems. Designed to be used with the CBI Grid and the T&R Seismic System.

Seismic Floating Wall Clip available with: +/- 20mm movement or +/- 40mm movement.



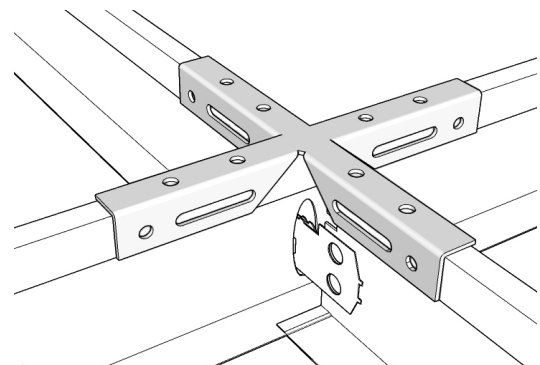
Z RAIL

The Z Rail suspends the grid perimeter and takes the loads to the structure above. The Z Rail is notched at 600 centres, locks over the tees and is attached to the grid with a rivet and is suspended independently. This creates a 'frame' around the ceiling locking it together and allows the ceiling to move with the structure above. This system is ideal where designers wish to demonstrate a negative detail etc.



SEISMIC SEPARATION JOINT

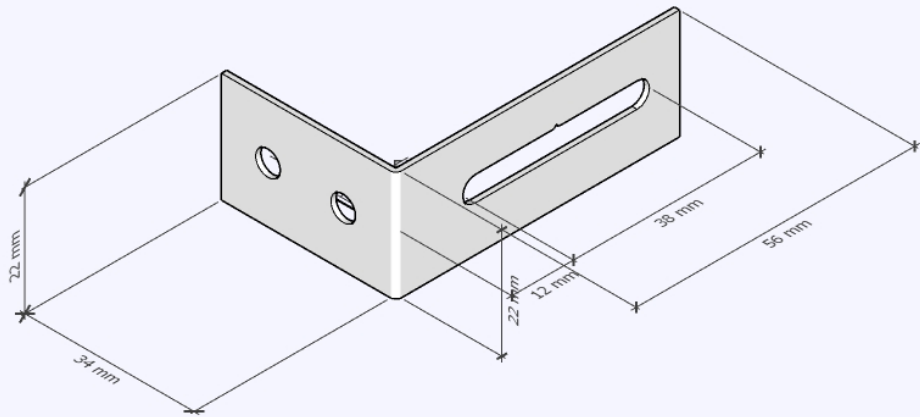
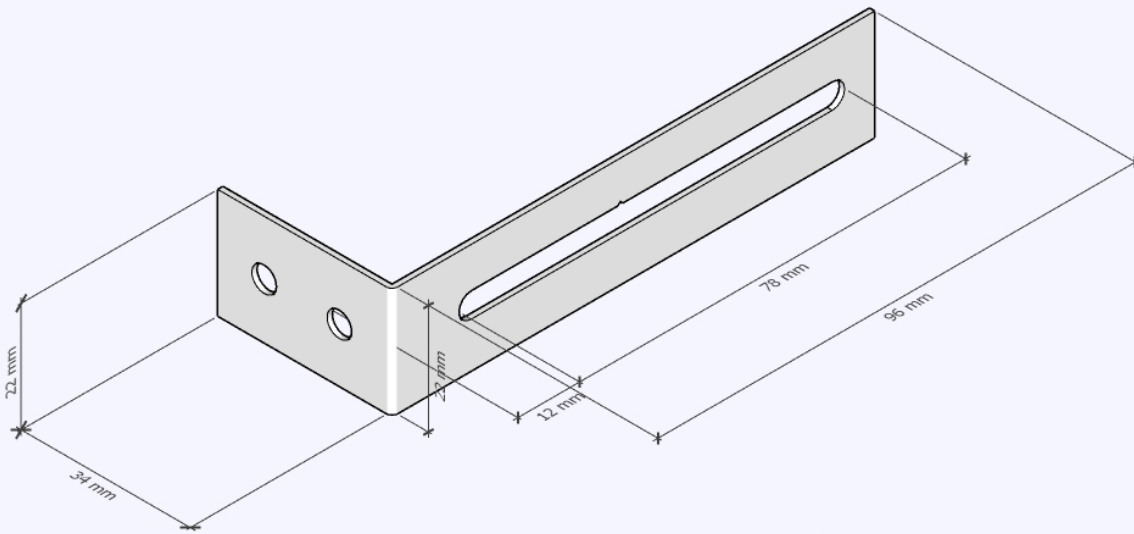
The Seismic Separation Joint effectively creates a floating edge that is covered by a white aluminium section. This is an effective way of creating seismic separation through the ceiling when it is needed.



4 WAY SEISMIC FLOATING CLIP

The Four Way Seismic Floating Clip creates a slidable connection within the grid itself. The tees are secured while the clip's slotted connection allows for seismic movement. This clip sits on top of the grid so is invisible from below and avoids interference with other ceiling fixtures.

FLOATING WALL CLIPS



FLOATING WALL CLIPS

