



Screw Fix – 22mm & 35mm



The T& R Screw Fix System is a flexible, high quality, cold formed steel direct fix or fully suspended grid system specifically designed for screw fixing sheet linings to form flat monolithic ceilings, bulkheads and strapping.

FEATURES AND ADVANTAGES

- Fully rolled edges on the primary components to ensure safer handling.
- Clips and accessories specifically designed to ensure snap fix installation, minimising the need for excessive mechanical fixing.
- Both 22mm and 35mm Furring Channels available in variable standard lengths to accommodate a range of options
- 35mm Furring Channel for domestic applications to match ribbon plate
- Knurled face to Furring Channels to limit screw slip during lining installation
- Full suspension, direct fix or strapping applications
- Variable lengths of Direct Fix Clips to ensure flexibility of installation
- 30 year system warranty when installed to T&R design requirements
- All hot dipped galvanised steel componentry ensures maximum durability and stability whilst avoid twisting and bowing.
- A range of galvanised angles and perimeter 'C' channels available in variable lengths

Wellington Head Office
12 Glover St., Ngauranga
Wellington 6035

PO Box 38533
Wellington Mail Centre 5045

/t/ 04 499 5915
/f/ 04 499 5916

Auckland
19 - 21 Fairfax Ave,
Penrose, Auckland 1061

PO Box 112360,
Penrose, Auckland 1642

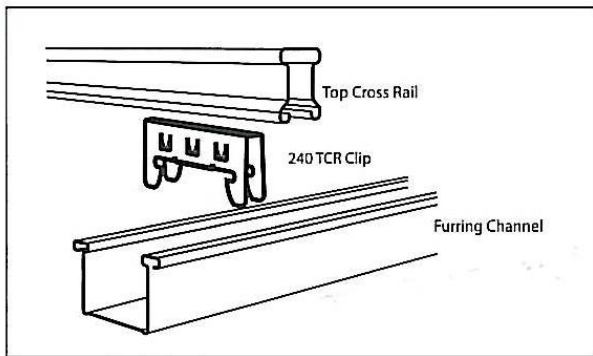
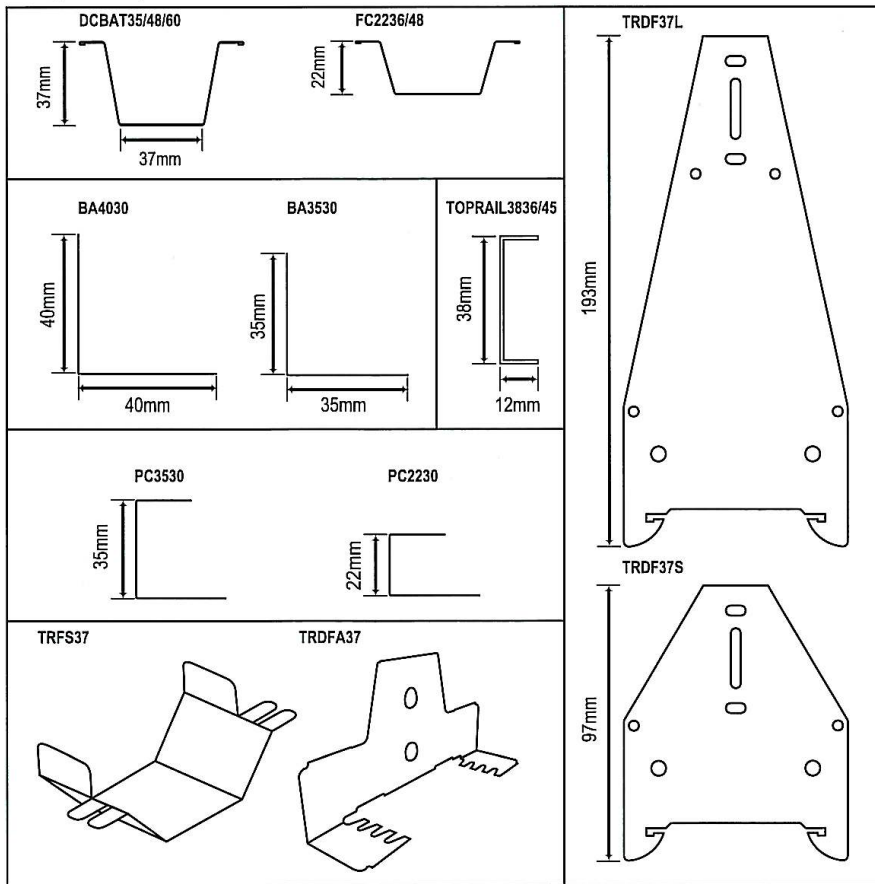
/t/ 09 571 0395
/f/ 09 571 0376

Christchurch
69 Disraeli St., Addington
Christchurch 8023

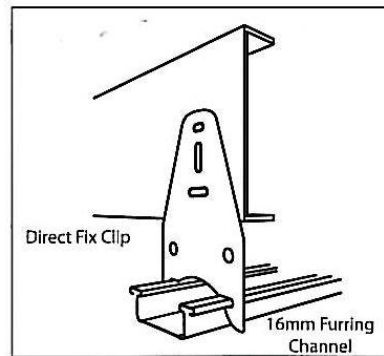
PO Box 7197
Christchurch 8240

/t/ 03 366 2507
/f/ 03 366 2508





Suspended System



Direct Fix System

Wellington Head Office
12 Glover St., Ngauranga
Wellington 6035

PO Box 38533
Wellington Mail Centre 5045

/t/ 04 499 5915
/f/ 04 499 5916

Auckland
19 - 21 Fairfax Ave,
Penrose, Auckland 1061

PO Box 112360,
Penrose, Auckland 1642

/t/ 09 571 0395
/f/ 09 571 0376

Christchurch
69 Disraeli St., Addington
Christchurch 8023

PO Box 7197
Christchurch 8240

/t/ 03 366 2507
/f/ 03 366 2508

