



Installation Guide

Suspended Ceiling Grid System LED Light Panel

YOU WILL NEED

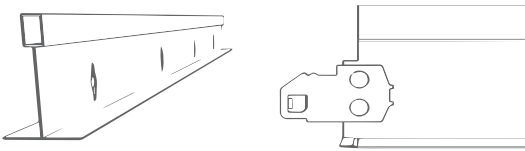


TEC SCREWS

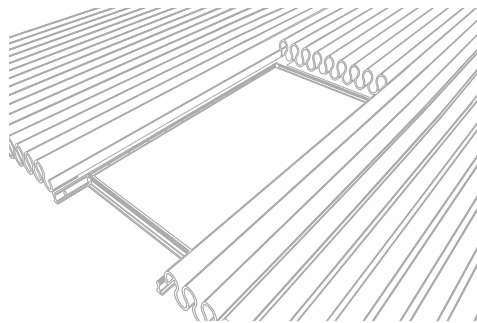
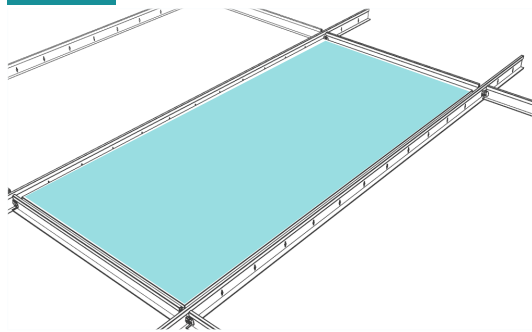


METAL ANGLES

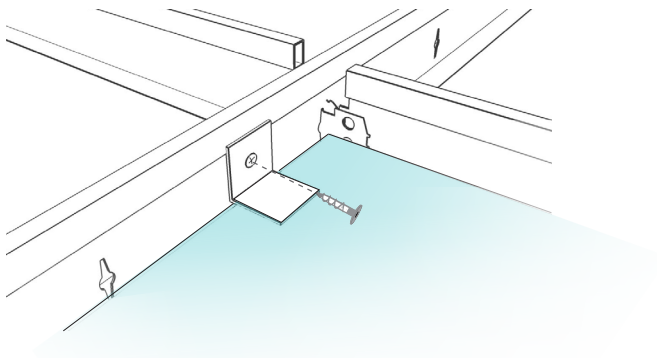
step 1



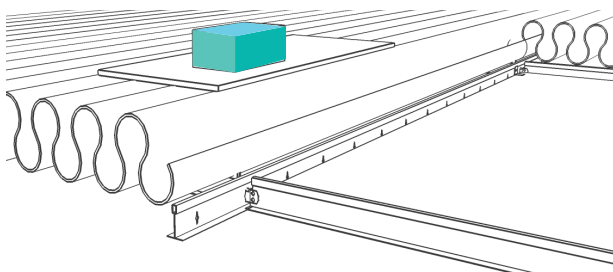
step 2



step 3



step 4



Step 1

Construct ceiling grid as per manufacturers instructions.

Step 2

Place the LED Light Panel in the grid. Ensure that building insulation material does not cover, or come into contact with any part of the panel

Step 3

Attach a metal 20 x 20 x 20mm angle at all corners of the LED Panel and fix these into the grid. Alternatively, place clips on the grid to positively fix the Panel in place.

Step 4

Place the Driver above the insulation. Either fix to the structure above or place on the

