



ECLIPSE SMOKE STOP DOOR

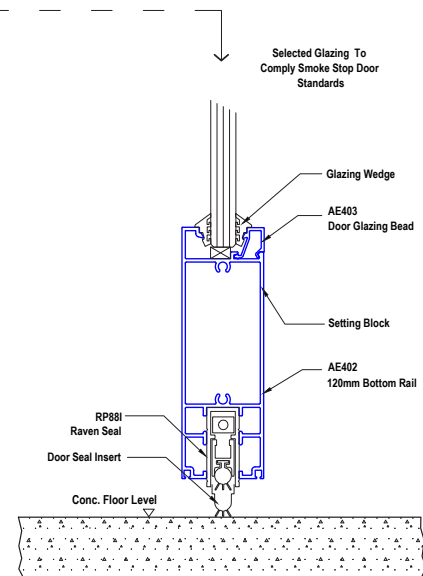
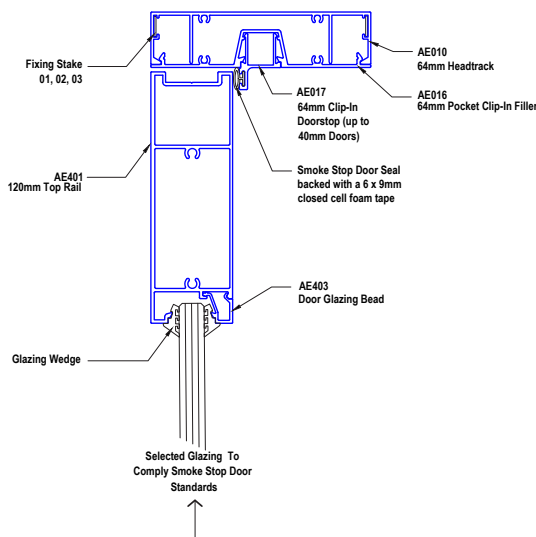
ECLIPSE
ALUMINIUM



Our Eclipse Smoke Stop Door offers protection from the spread of smoke.

The door system has been tested AS/NZS 1530.7:1998 Methods for fire tests on building materials, components and structures - Smoke control door and shutter assemblies - Ambient and medium temperature leakage test procedure. This sets out test procedures for a method for determining the smoke leakage through doors and shutters. This Standard is based on but not equivalent to ISO/CD 5925-1.

The Eclipse Smoke Stop Door complies with the requirements of the NZ Building Code (NZBC), set out in the Acceptable Solutions Appendix C, C6.1.2 and achieves a -/-SM rating.



Wellington Head Office
12 Glover St, Ngauranga
Wellington 6035
PO Box 38533
Wellington Mail Centre 5045
/t/ 04 499 5915

www.tris.co.nz

Auckland
19 - 21 Fairfax Ave,
Penrose, Auckland 1061
PO Box 112360,
Penrose, Auckland 1642
/t/ 09 571 0395

Christchurch
69 Disraeli St, Addington
Christchurch 8023
PO Box 7197
Christchurch 8240
/t/ 03 366 2507

info@tris.co.nz